



TA2003

Preliminary

LINEAR INTEGRATED CIRCUIT

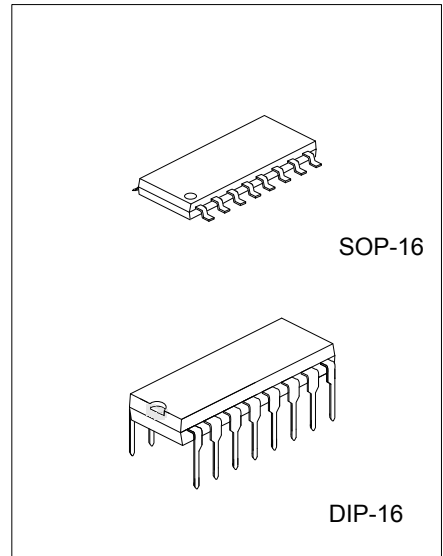
AM/FM RADIO IC

DESCRIPTION

The UTC **TA2003** is AM/FM Radio IC (FM F/E + AM/FM IF) which is designed for AM/FM Radios.

FEATURES

- * FM IFT, AM IFT and FM Detector Coil are unnecessary.
- * Operating Supply Voltage Range
- * $V_{CC(oper)} = 1.8 \sim 7V$ ($T_a=25^\circ C$)



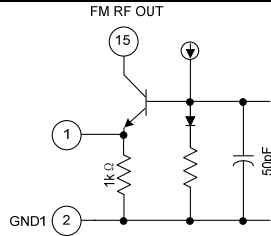
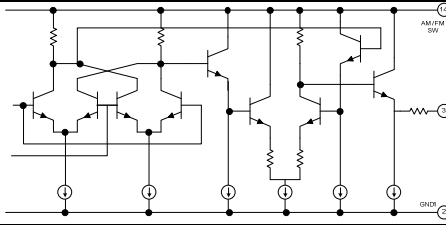
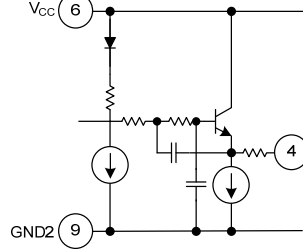
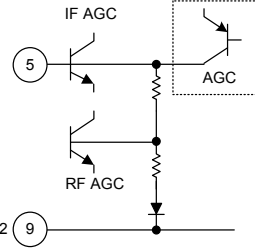
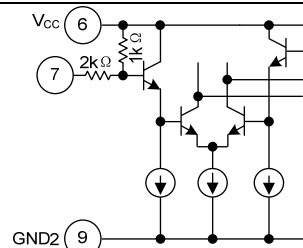
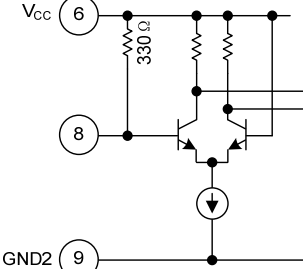
ORDERING INFORMATION

Ordering Number		Package	Packing
Lead Free	Halogen Free		
TA2003L-S16-R	TA2003G-S16-R	SOP-16	Tape Reel
TA2003L-D16-T	TA2003G-D16-T	DIP-16	Tube

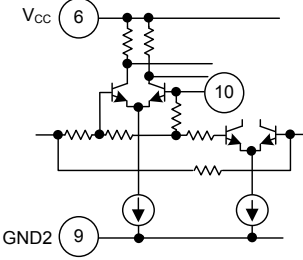
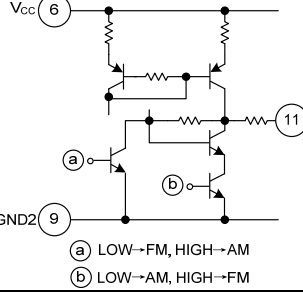
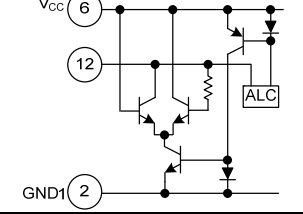
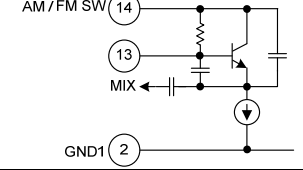
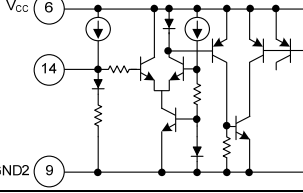
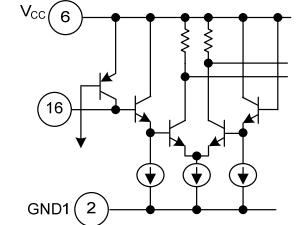
<p>TA2003L-S16-R</p> <p>(1)Packing Type</p> <p>(2)Package Type</p> <p>(3)Lead Free</p>	<p>(1) R: Tape Reel, T: Tube</p> <p>(2) S16: SOP-16, D16: DIP-16</p> <p>(3) G: Halogen Free, L: Lead Free</p>
--	---

■ EXPLANATION OF TERMINAL

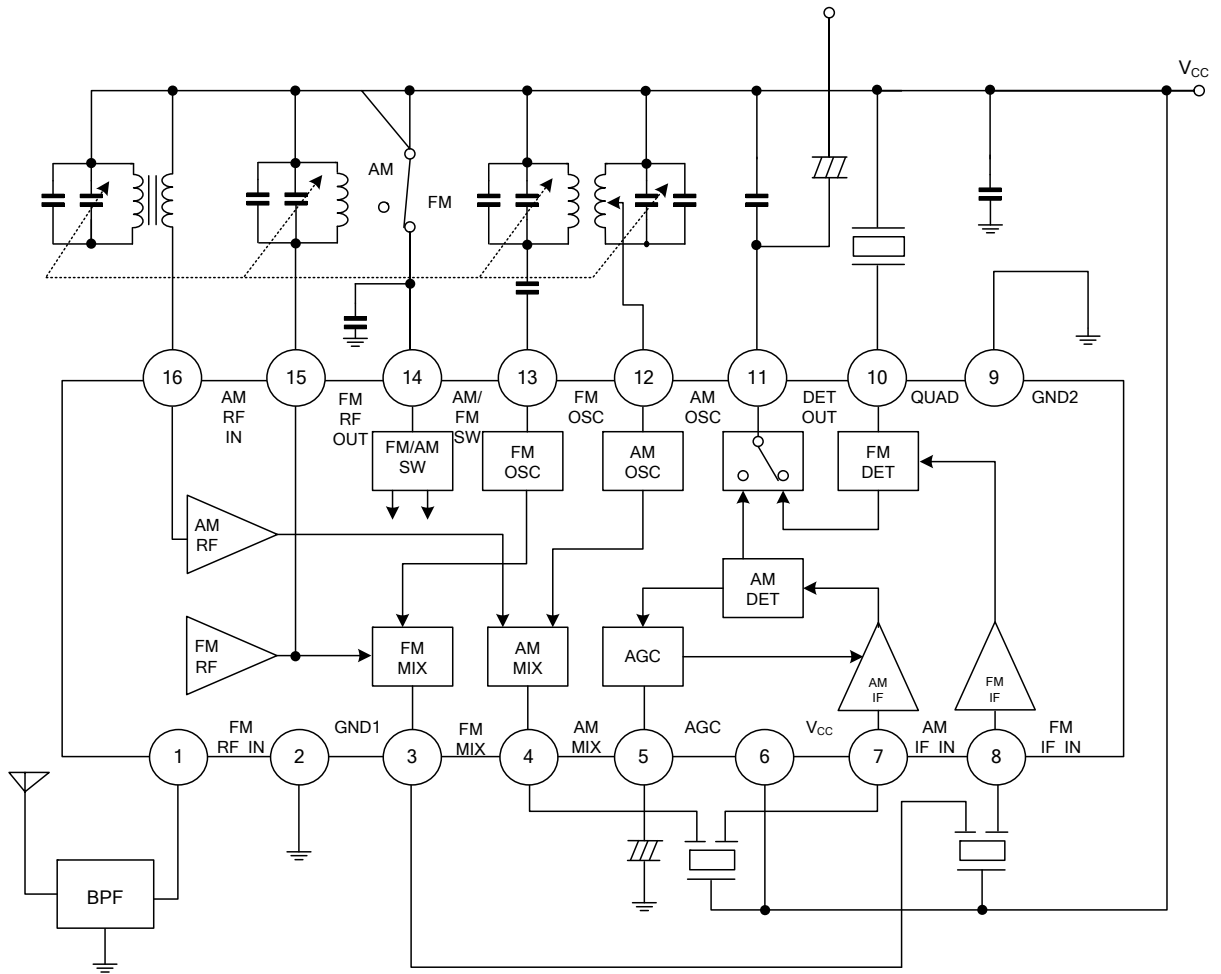
Terminal Voltage: Typical DC voltage at Ta=25°C, V_{CC}=3V and no signal with Test Circuit

PIN NO.	PIN NAME	DESCRIPTION	INTERNAL CIRCUIT	TERMINAL VOLTAGE	
1	FM AF IN	Input of FM RF Amplifier		0	0.7
2	GND1	GND for RF, DSC and MIX Stage		0	0
3	FM MIX	Output of FM MIX		0.4	1.7
4	AM MIX	Output of AM MIX		0.6	0
5	AGC	By pass of AM AGC		0	0
6	V _{CC}			3.0	3.0
7	AM IF IN	Input of AM IF Amplifier		3.0	3.0
8	FM IF IN	Input of FM IF Amplifier		3.0	3.0

■ EXPLANATION OF TERMINAL

PIN NO.	PIN NAME	DESCRIPTION	INTERNAL CIRCUIT	TERMINAL VOLTAGE	
9	GND2	GND for IF stage		0	0
10	QUAD	FM QUAD Detector Ceramic Discriminator is connected. Recommendation CDA 10.7MG31 (MURATA MFG. CO., LTD)		2.5	2.2
11	DET OUT	Output of FM/AM Detector		1.4	1.1
12	AM OSC	AM local Oscillator Terminal Oscillator Coil is connected.		3.0	3.0
13	FM OSC	FM local Oscillator Terminal Oscillator Coil is connected		0.9	3.0
14	AM/FM SW	AM/FM switch connected to Pin14 V _{CC} →FM mode Pin14 OPEN→AM mode		0.9	3.0
15	FM RF OUT	FM RF Coil is connected	cf. PIN 1	3.0	3.0
16	AM RF IN	Input of AM RF Amplifier		3.0	3.0

■ BLOCK DIAGRAM



■ ABSOLUTE MAXIMUM RATING (Ta=25°C)

PARAMETER		SYMBOL	RATINGS	UNIT
Supply Voltage		V _{CC}	8	V
Power Dissipation	DIP-16	P _D	750	mW
	SOP-16		350	
Operating Temperature		T _{OPR}	-25 ~ 75	°C
Storage Temperature		T _{STG}	-55 ~ 150	°C

Note: Absolute maximum ratings are those values beyond which the device could be permanently damaged. Absolute maximum ratings are stress ratings only and functional device operation is not implied.

■ ELECTRICAL CHARACTERISTICS

Unless otherwise specified, Ta=25°C, V_{CC}=3V, FE: f = 98MHz, f_m = 1KHz,

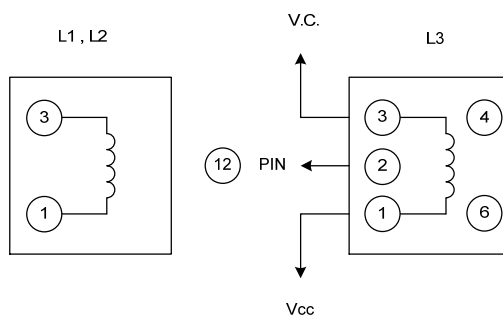
FM IF: f = 10.7MHz, Δf=±22.5kHz, f_m = 1KHz

AM: f = 1MHz, MOD = 30%, f_m = 1 KHz

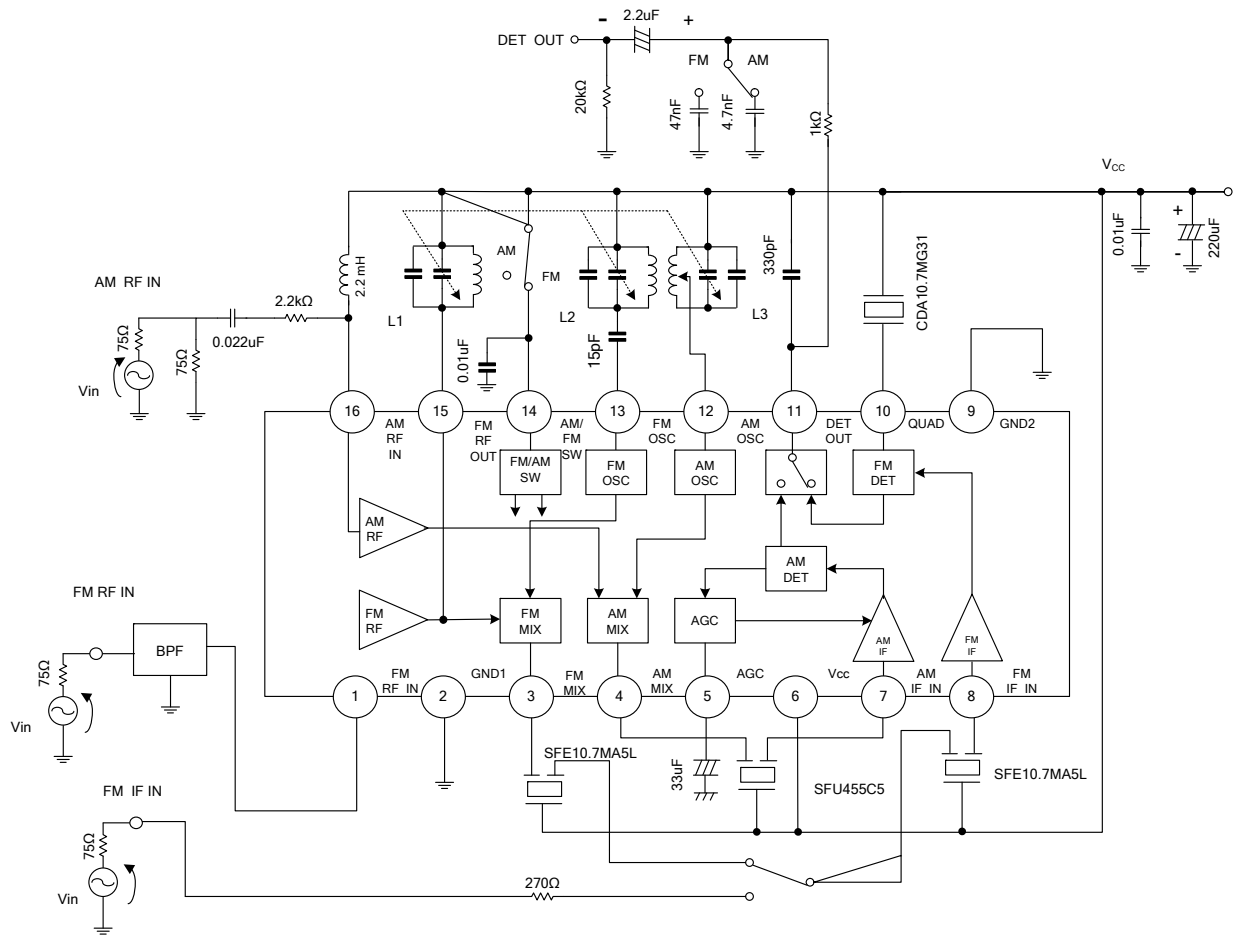
PARAMETER		SYMBOL	TEST CONDITIONS	MIN	TYP	MAX	UNIT	TEST CIRCUIT
Supply Current		I _{CC} (FM)	FM Mode, Vin=0		10.5	16.5	mA	1
		I _{CC} (AM)	AM Mode, Vin=0		5.0	8.0		1
F/E	Input Limiting Voltage	V _{in} (lim)	-3dB limiting point		12		dBμV EMF	1
	Quiescent Sensitivity	Q _s	S/N=30dB		12			
	Local OSC Voltage	V _{OSC}	f _{OSC} =108MHz	160	240	320	mVrms	2
	Local OSC Stop Voltage	V _{stop} (FM)	Vin=0		1.2		V	2
FM IF	Input Limiting Voltage	V _{in} (lim)IF	-3dB limiting point	42	47	52	dBμV EMF	1
	Recovered Output Voltage	V _{OD}	Vin=80dBμV EMF	50	70	90		
	Signal To Noise Ratio	S/N	Vin=80dBμV EMF		62		dB	1
	Total Harmonic Distortion	THD	Vin=80dBμV EMF		0.4		%	1
AM	AM Rejection Ratio	AMR	Vin=80dBμV EMF		33		dB	1
	Voltage Gain	G _v	Vin=27dBμV EMF	15	32	50	mVrms	1
	Recovered Output Voltage	V _{OD}	Vin=60dBμV EMF	35	60	85	mVrms	1
	Signal To Noise Ratio	S/N	Vin=60dBμV EMF		43		dB	1
	Total Harmonic Distortion	THD	Vin=60dBμV EMF		1.0		%	1
Local OSC Stop Voltage	V _{stop} (AM)	Vin=0		1.6		V	1	

■ COIL DATA (TEST CIRCUIT)

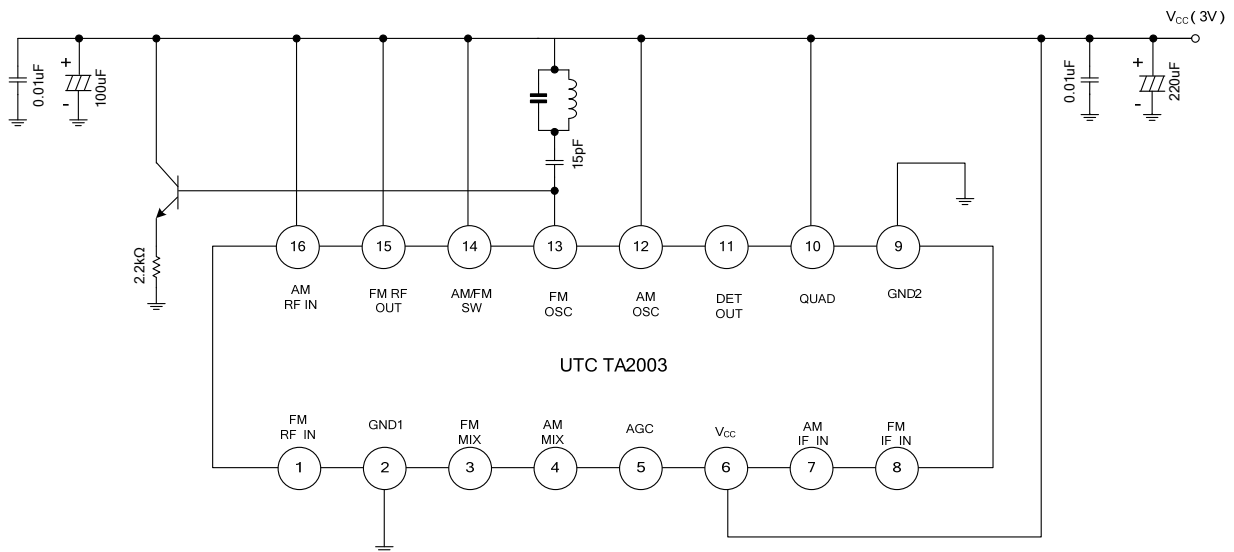
COIL NO.	TEST FREQ (Hz)	L (μH)	C ₀ (pF)	Q ₀	TURNS					WIRE (mm ∅)
					1-2	2-3	1-3	1-4	4-6	
L1 FM RF	100M			100				2.25		0.5 UEW
L2 FM OSC	100M			100			1.75			0.5 UEW
L3 AM OSC	796K	268		125	14	86				0.06 UEW



■ TEST CIRCUIT1



■ TEST CIRCUIT2



UTC assumes no responsibility for equipment failures that result from using products at values that exceed, even momentarily, rated values (such as maximum ratings, operating condition ranges, or other parameters) listed in products specifications of any and all UTC products described or contained herein. UTC products are not designed for use in life support appliances, devices or systems where malfunction of these products can be reasonably expected to result in personal injury. Reproduction in whole or in part is prohibited without the prior written consent of the copyright owner. The information presented in this document does not form part of any quotation or contract, is believed to be accurate and reliable and may be changed without notice.